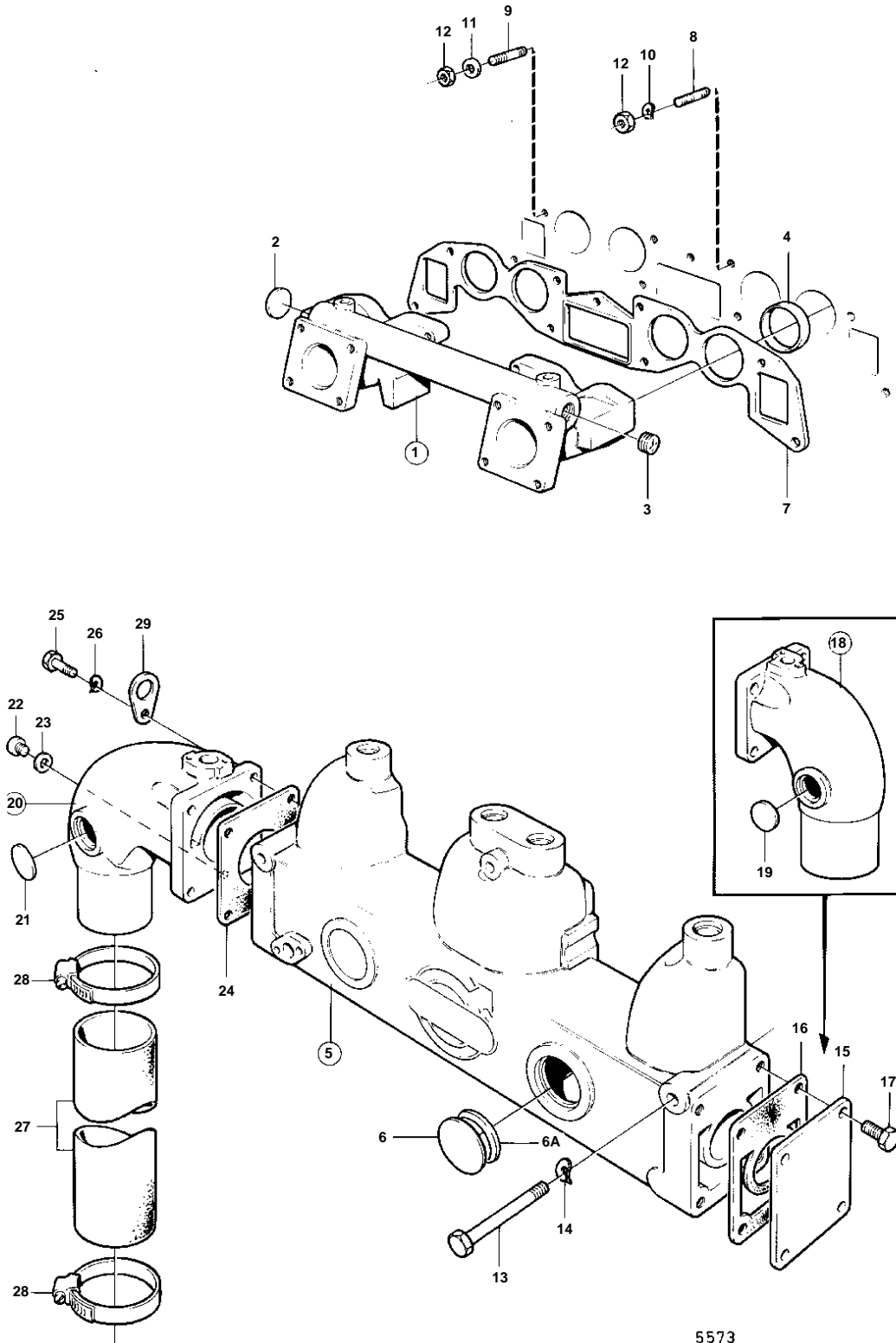


AQ130A



AQ130A

REF	PART NO.	QTY	DESCRIPTION	NOTES
1		1	Inlet pipe	
2		2	• Expansion plug	
3	952075	1	Plug	
4	418408	4	Guide sleeve	
5	824532	1	Exhaust pipe	
6	192211	2	• Expansion plug	
	467649	2	• Plug	EARLY TYPE,ENGINE WITHOUT HYDRAULIC PUMP.
6A	469328	2	• Gasket	EARLY TYPE,ENGINE WITHOUT HYDRAULIC PUMP.
7	824633	1	Gasket	
8	953239	2	Stud	
9	953251	5	Stud	
10	941907	2	Spring washer	
11	191169	4	Washer	
12	955826	7	Hexagon nut	
13	959793	2	Hexagon screw	
14	941907	3	Spring washer	
15	806341	1	End cover	
16	825558	1	Gasket	(827101)
17	955547	4	Hexagon screw	
18	825598	1	Exhaust riser	SPEC 9958
19	192426	2	• Expansion plug	
20	825599	1	Exhaust riser	SPEC. 867054, 867057 MO-XXXXX/6621, 867132. D70BK ALT.
21	192426	2	• Expansion plug	
22	804262	1	• Plug	
23	804261	1	• Gasket	
24	825558	1	Gasket	(827101)
25	940116	4	Hexagon screw	SPEC 9958
	956600	4	Hex. socket screw	SPEC. 867054, 867057 MO-XXXXX/6621, 867132. D70BK ALT.
26	941909	4	Spring washer	SPEC. 867054, 867057 MO-XXXXX/6621, 867132. D70BK ALT.
27	952980	X	Hose	L = 170 MM
28	943480	4	Hose clamp	(951797)
29		1	LIFT EYE	